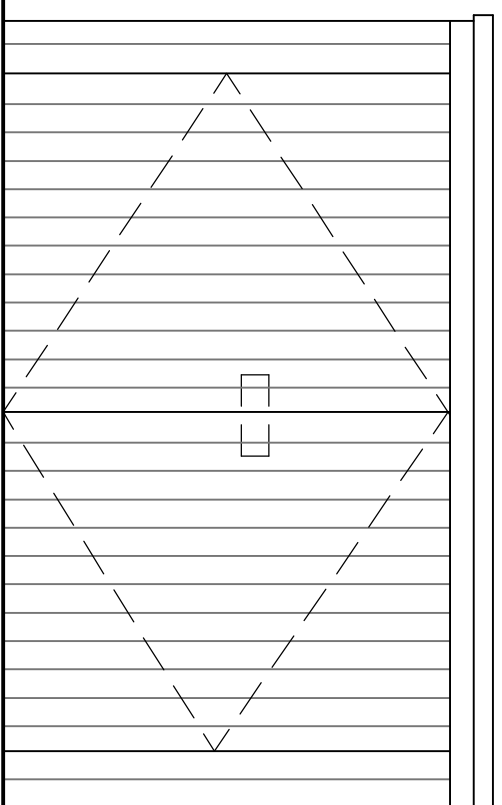
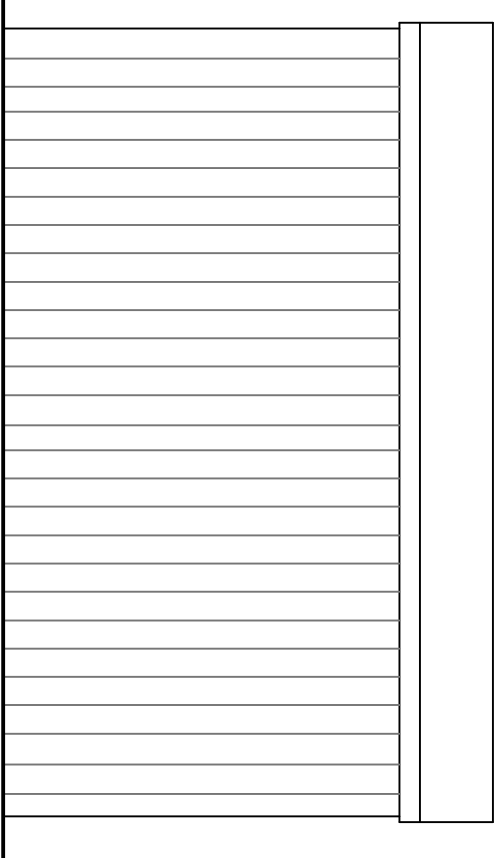


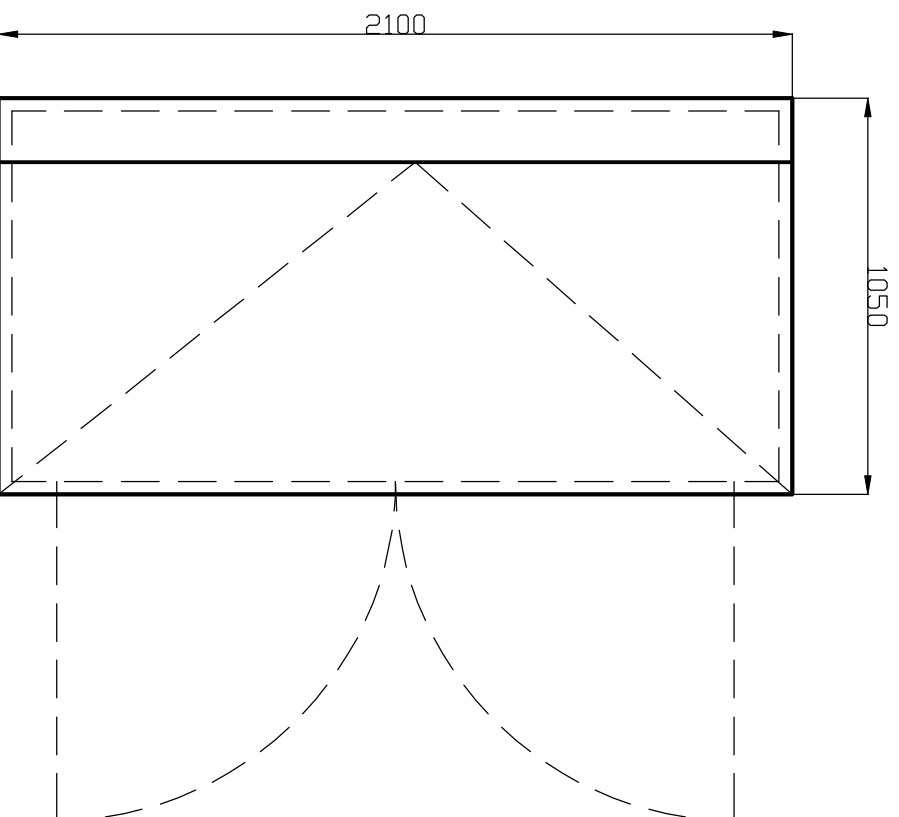
SIDE



FRONT

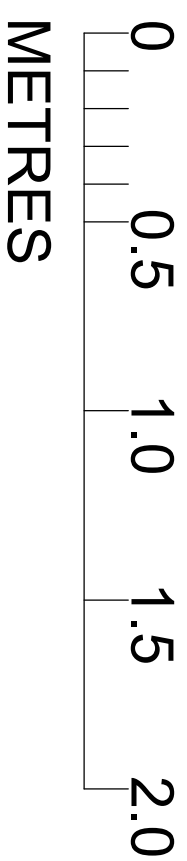


REAR




PLAN

READY MADE METAL CYCLE SHEDS IN DARK GREY WITH OPENING TOP AND FRONT DOORS (3NO CYCLES PER SHED).



Rev	Date	Detail



INTERIOR DESIGN | ARCHITECTURE | PROJECT MANAGEMENT
 8 suttcliffe road, wittering, peterborough, PE6 6AY
 Tel: 07588 441751 info@i-hid.co.uk
 www.i-hid.co.uk

Client: **KARIM LALANI**

Job Title:
**19 LANGWIRTH DRIVE
 HOLBEACH
 PE12 7HQ**

Scale: **1:20 @ A3** Date: **13/01/26**

Drawing Title
PROP CYCLE SHED

Drawing No: **643SK01-9** Revision: **-**

ALL DRAWINGS ARE THE COPYRIGHT OF IHD DESIGN