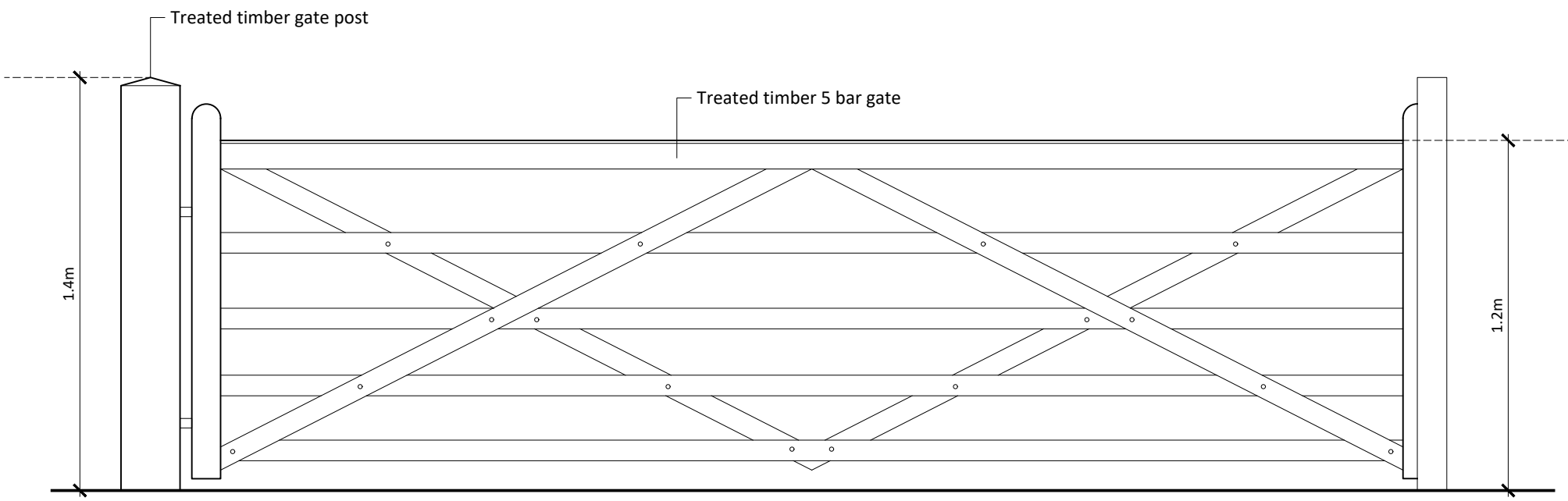
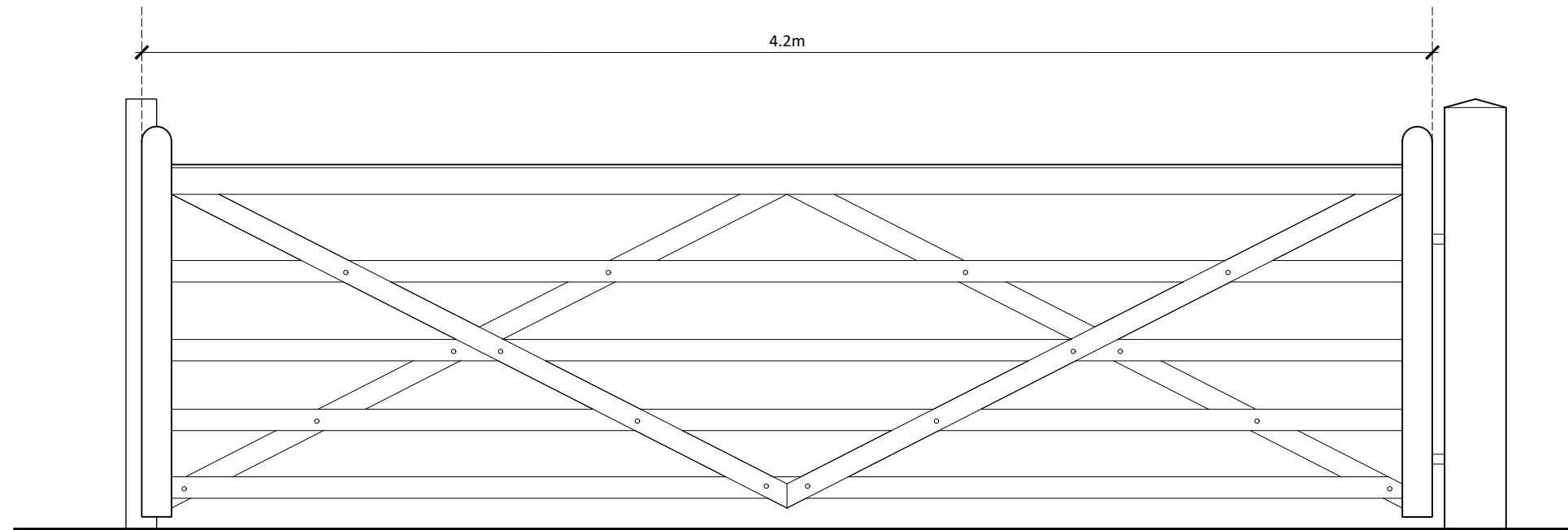


Plan



Front Elevation



Rear Elevation

Notes

Copyright
 © Robert Doughty Consultancy Limited.
 All rights described in the Copyright, Designs and Patents Act 1988 have been asserted.

Dimensions
 All dimensions shown are for the purposes of obtaining the relevant planning permission only.

CDM 2015
 This drawing is for illustrative purposes and/or obtaining the relevant planning permission only. It should not be used for construction and accordingly, risk identification under the Construction (Design & Management) Regulations 2015 has not been undertaken.

Rev	By	Description	Date
-	-	-	-

Current revision checked by: -

rdc
 Robert Doughty Consultancy

32 High Street, Helpringham
 Sleaford, Lincolnshire, NG34 0RA

Tel: 01529 421646
 Email: admin@rdc-landplan.co.uk
 Web: www.rdc-landplan.co.uk

Client
 Robert Doughty Consultancy

Project
 Change of Use
 65 Holbeach Road, Spalding

Drawing
 Timber gate detail

Scale @ A3 1: 20	Date 10/09/25
----------------------------	-------------------------

Drawn By WW	Checked By -
-----------------------	------------------------

Job Number 1681-1	Status FP	Purpose of Issue Planning
-----------------------------	---------------------	-------------------------------------

Drawing No. 1681-1_FP_DD01	Rev -
--------------------------------------	-----------------