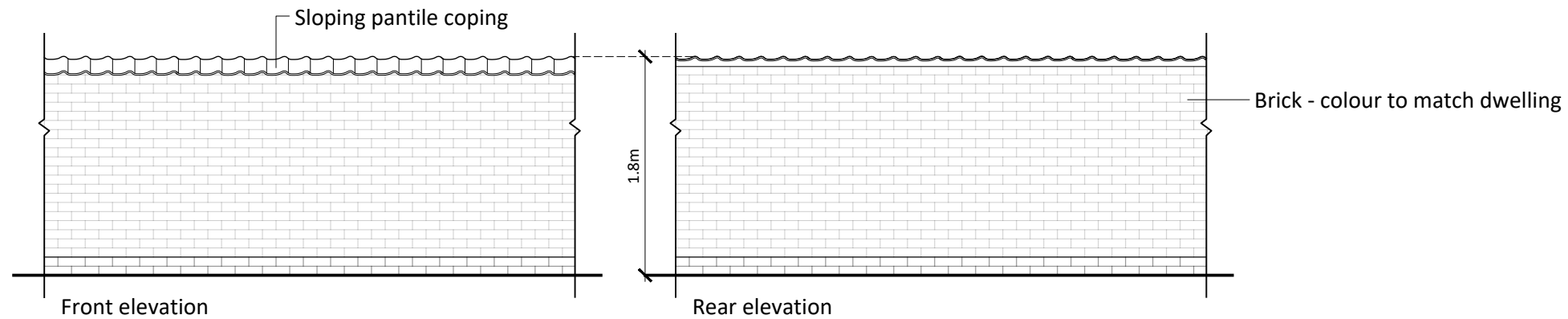
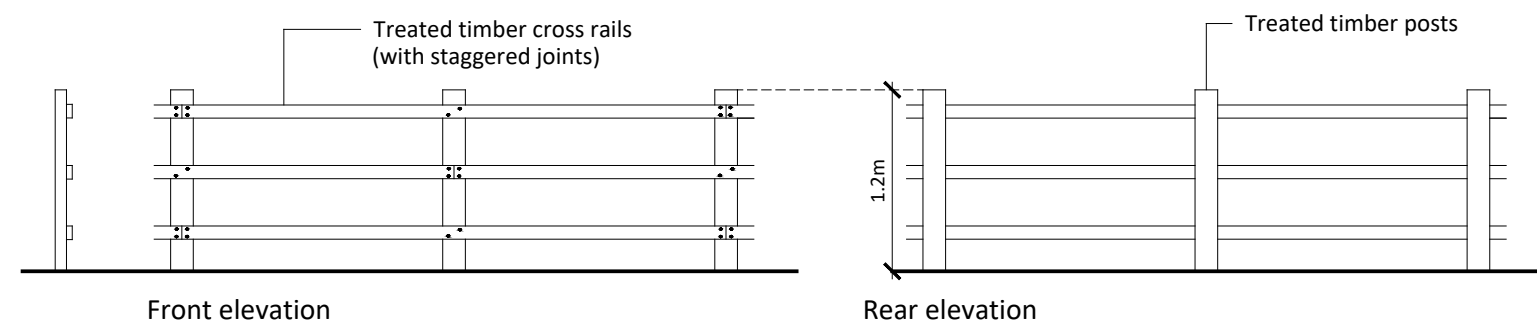


1.2m high brick garden wall



1.8m high brick garden wall



1.2m high timber post & rail fence

Notes

Copyright

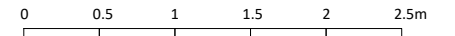
© Robert Doughty Consultancy Limited.
All rights described in the Copyright, Designs and Patents Act 1988 have been asserted.

Dimensions

All dimensions shown are for the purposes of obtaining the relevant planning permission only.

CDM 2015

This drawing is for illustrative purposes and/or obtaining the relevant planning permission only. It should not be used for construction and accordingly, risk identification under the Construction (Design & Management) Regulations 2015 has not been undertaken.



Rev	By	Description	Date
-	-	-	-

Current revision checked by: -



Robert Doughty Consultancy

32 High Street, Helpingham
Sleaford, Lincolnshire, NG34 0RA

Tel: 01529 421646
Email: admin@rdc-landplan.co.uk
Web: www.rdc-landplan.co.uk

Client

Miss Veronica Frohock

Project

The Hollies Farmyard
Pilmore Lane, Fulney, Spalding, PE12 6EG

Drawing

Boundary Treatments

Scale @ A3 1: 50	Date 06/10/25
----------------------------	-------------------------

Drawn By WW	Checked By -
-----------------------	------------------------

Job Number 1623-2	Status FP	Purpose of Issue Planning
-----------------------------	---------------------	-------------------------------------

Drawing No. 1623-2_FP_DD01	Rev -
--------------------------------------	-----------------